

SPECIFICATIONS

PRODUCT CODE
91995

FINISHED GRAPHIC PANEL SIZE
Header 770 mm (W) x 280 mm (H)
Base Unit 823 mm (W) x 785 mm (H)

GRAPHIC PANEL THICKNESS
500 microns

SYSTEM SIZES
Assembled size
2204 mm (H) x 810 mm (W) x 470 mm (D)

Boxed size
860 mm (L) x 880 mm (W) x 110 mm (D)

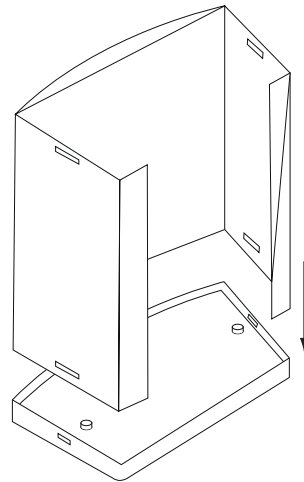
WEIGHTS
Boxed weights
9.5 kg

COMPONENT LIST

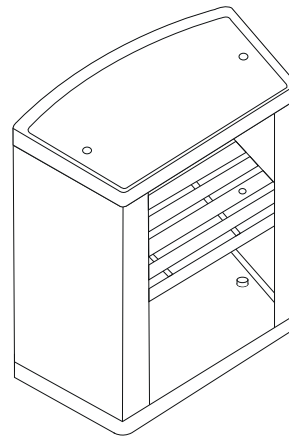
- 2 x Top/Bottom
- 1 x Main Body
- 1 x Shelf
- 4 x Poles
- 1 x Header

SMALL PROMOTION UNIT ASSEMBLY INSTRUCTIONS

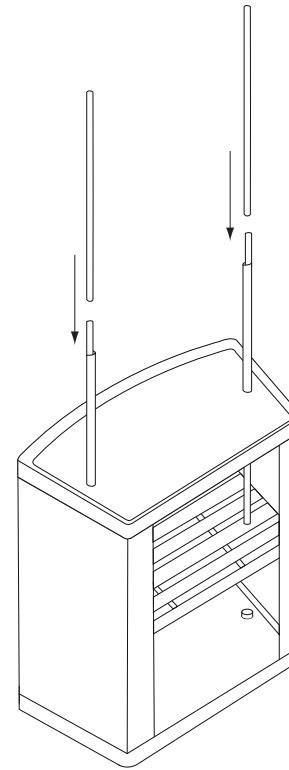
1



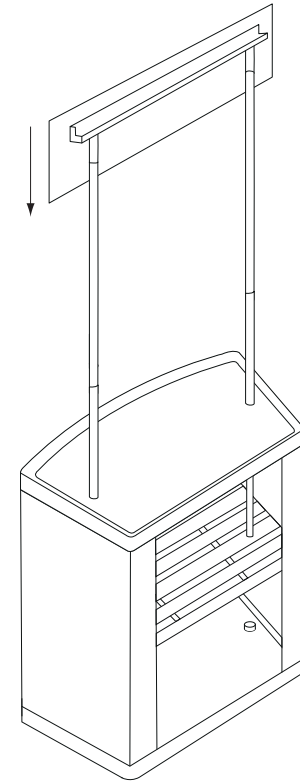
2



3



4



fantasy
PRINTS **f**

Issue 3 - May 2017

GRAPHIC SIZES ON REVERSE

SPECIFICATIONS

PRODUCT CODE
91995

FINISHED GRAPHIC PANEL SIZE
Header 770 mm (W) x 280 mm (H)
Base Unit 823 mm (W) x 785 mm (H)

GRAPHIC PANEL THICKNESS
500 microns

SYSTEM SIZES
Assembled size
2204 mm (H) x 810 mm (W) x 470 mm (D)

Boxed size
860 mm (L) x 880 mm (W) x 110 mm (D)

WEIGHTS
Boxed weights
9.5 kg

COMPONENT LIST

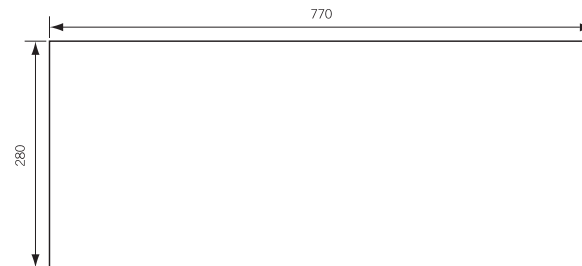
- 2 x Top/Bottom
- 1 x Main Body
- 1 x Shelf
- 4 x Poles
- 1 x Header

fantasy
PRINTS 

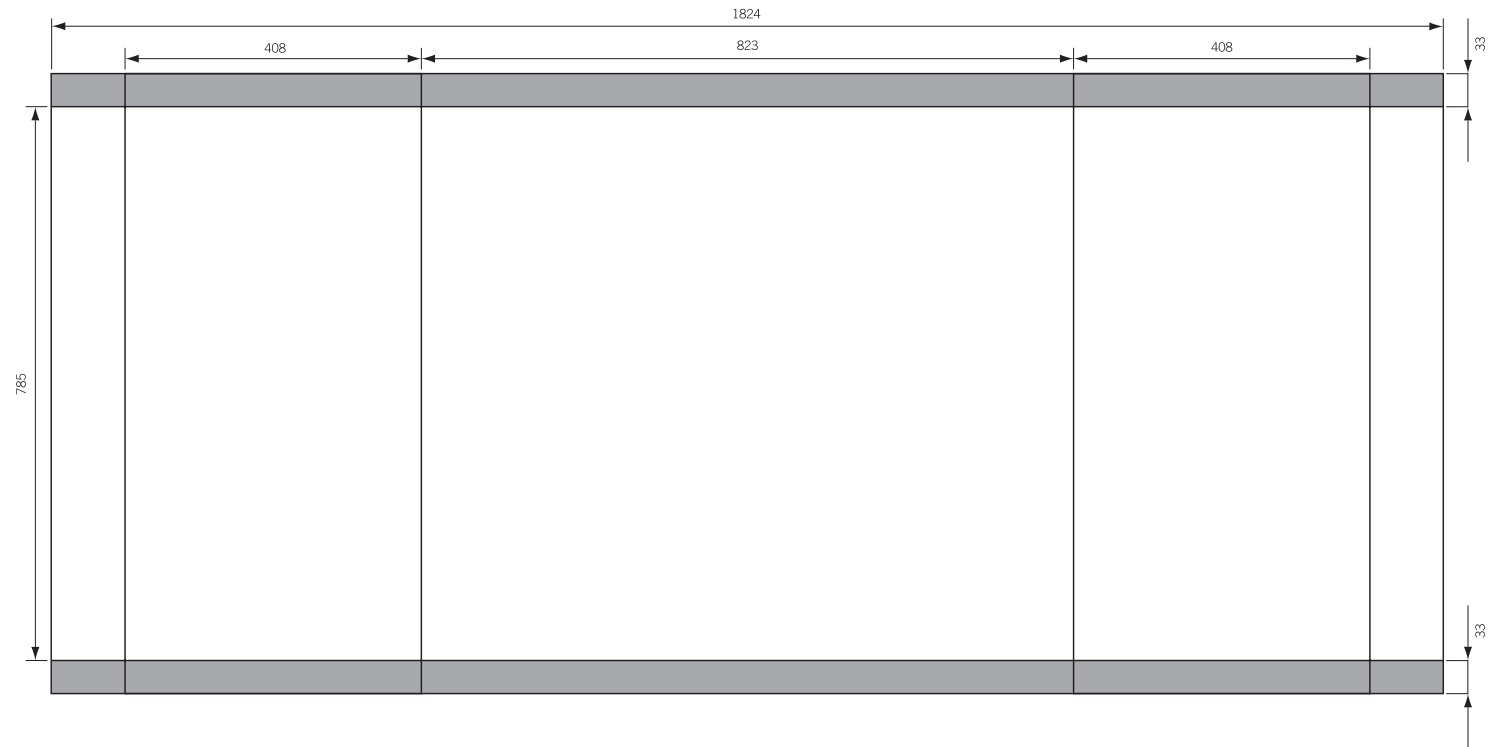
Issue 3 - May 2017

SMALL PROMOTION UNIT GRAPHIC SIZES

SMALL PROMOTION UNIT - HEADER GRAPHIC SIZES



SMALL PROMOTION UNIT - BASE GRAPHIC SIZES (GREY AREA'S NOT VISIBLE)



ASSEMBLY INSTRUCTIONS ON REVERSE